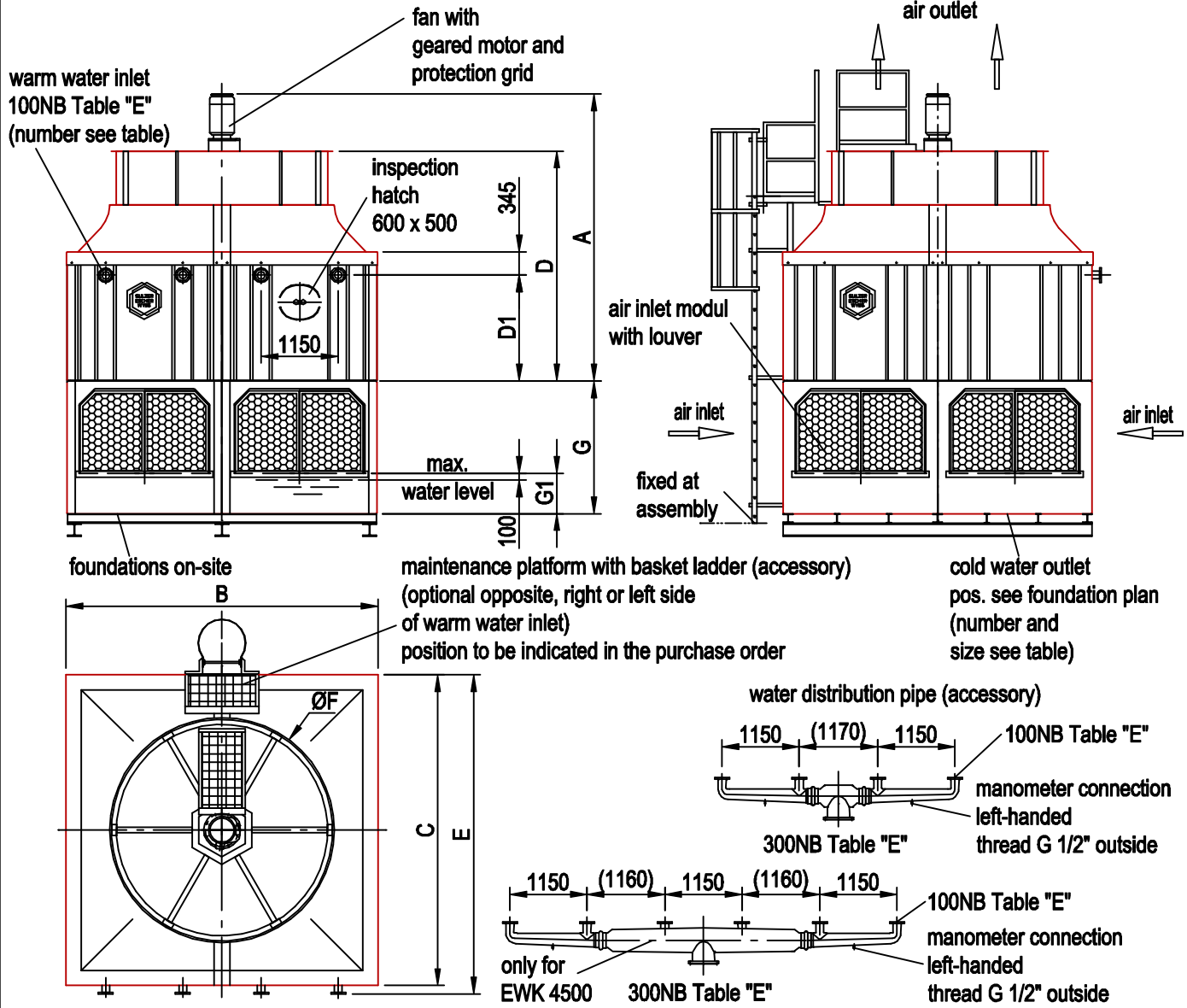




Dimension sheet cooling towers EWK 2100 - 6100

MODUPOL® range - basic type with air inlet modul (including integrated basin)

R 2.223 B Bl.1_E - 06.2000



type	height of fill material	height of basin	weights			basic type with air inlet modul							G in mm				warm water inlet	cold water outlet
			G1	empty	operation	maximum	A	B	C	D	D1	E	ØF	at height of air inlet				
EWK		mm	kg	kg	kg	mm	mm	mm	mm	mm	mm	mm	1200	1500	1800	2100	number	number
2100	06/09	300	4100	10000	14100	4175	4622	4600	3425	1580	4740	3150	1675	1975	2275	2575	4	min. 2x DN350
		600	4200	16300	20400								1975	2275	2575	2875		
	15	300	5000	11000	15400	5175	4622	4600	4425	2580	4740	3150	1675	1975	2275	2575		
		600	5100	17300	21700								1975	2275	2575	2875		
3100	06/09	300	5600	14400	20400	4520	4622	6900	3705	1580	7040	3550	1675	1975	2275	2575	4	min. 2x DN400
		600	5700	23800	29900								1975	2275	2575	2875		
	15	300	6800	15900	22400	5520	4622	6900	4705	2580	7040	3550	1675	1975	2275	2575		
		600	6900	25300	31900								1975	2275	2575	2875		
4500	06/09	300	8200	21400	30600	4680	6950	6900	3705	1580	7040	4500	1675	1975	2275	2575	6	min. 3x DN400
		600	8400	35700	44900								1975	2275	2575	2875		
	15	300	10100	23600	33500	5680	6950	6900	4705	2580	7040	4500	1675	1975	2275	2575		
		600	10300	37900	47800								1975	2275	2575	2875		
6100	06/09	300	12100	29700	41900	5575	9226	6900	4105	1580	7040	5535	1675	1975	2275	2575	2x 4	min. 4x DN400
		600	12400	48700	60900								1975	2275	2575	2875		
	15	300	14500	32700	45800	6575	9226	6900	5105	2580	7040	5535	1675	1975	2275	2575		
		600	14800	51600	64800								1975	2275	2575	2875		

All data are valid for standard version ; scope of supply acc. to order confirmation

Tolerances of dimensions and connecting dimensions ±10mm; flange dimensions acc. to AS 2129