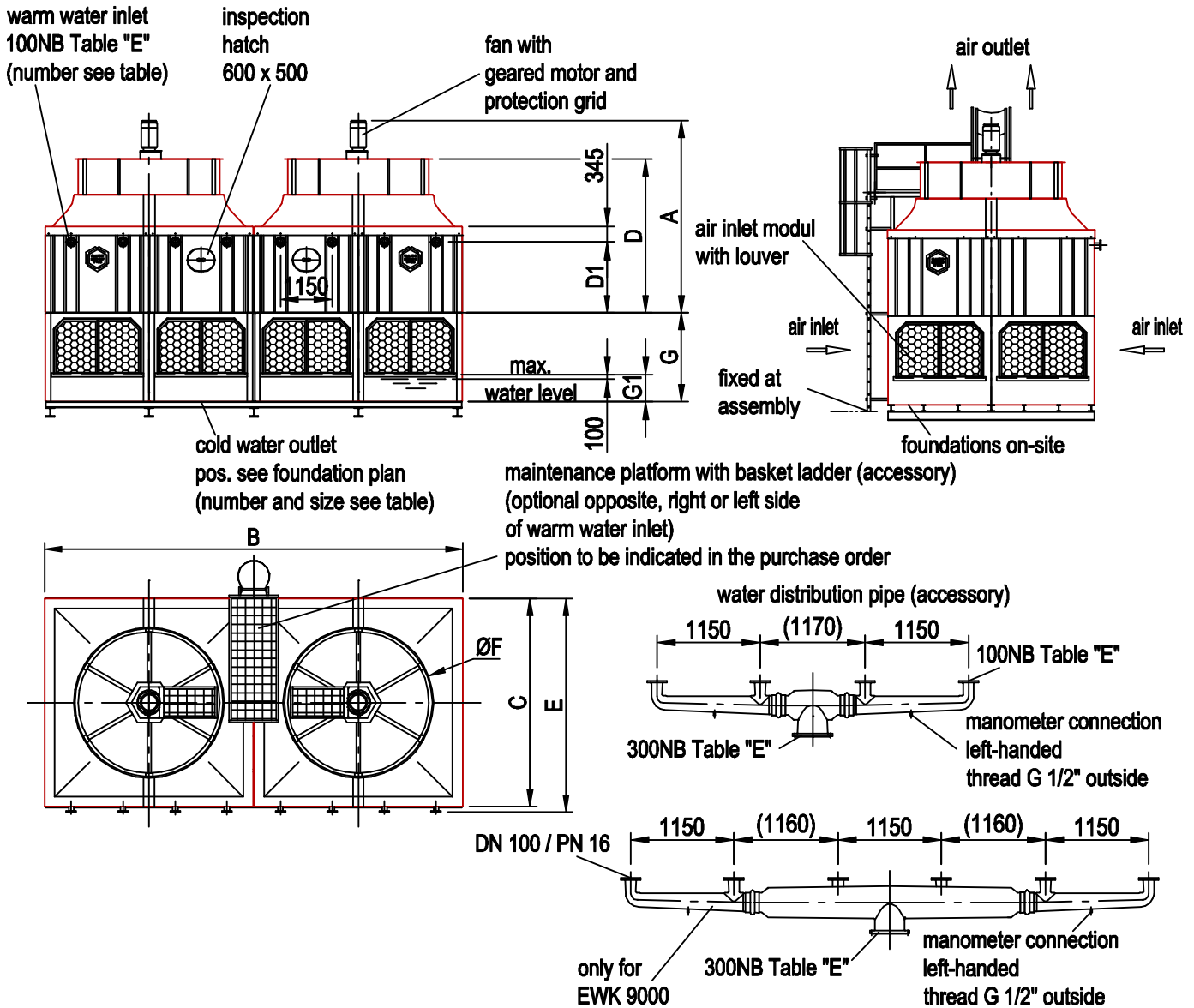




Dimension sheet cooling towers EWK 4200 - 12200

MODUPOL® range - basic type with air inlet modul (including integrated basin)

R 2.224 B Bl.1_E - 06.2000



type	height of fill material	height of basin	weights			basic type with air inlet modul							G in mm				warm water inlet	cold water outlet
			G1	empty	operation	maximum	A	B	C	D	D1	E	ØF	at height of air inlet				
EWK		mm	kg	kg	kg	mm	mm	mm	mm	mm	mm	mm	1200	1500	1800	2100	number	number
4200	06/09	300	8300	20000	28200	4175	9280	4600	3425	1580	4740	3150	1675	1975	2275	2575	2x 4	min. 4x 350NB
		600	8500	32600	40800								1975	2275	2575	2875		
	15	300	9900	22000	30800	5175	9280	4600	4425	2580	4740	3150	1675	1975	2275	2575		
		600	10100	34600	43400								1975	2275	2575	2875		
6200	06/09	300	11200	28800	40900	4520	9280	6900	3705	1580	7040	3550	1675	1975	2275	2575	2x 4	min. 4x 400NB
		600	11500	47700	60000								1975	2275	2575	2875		
	15	300	13700	31800	44800	5520	9280	6900	4705	2580	7040	3550	1675	1975	2275	2575		
		600	14000	50700	63900								1975	2275	2575	2875		
9000	06/09	300	16700	43000	61400	4680	13900	6900	3705	1580	7040	4500	1675	1975	2275	2575	2x 6	min. 6x 400NB
		600	17100	71400	89800								1975	2275	2575	2875		
	15	300	20300	47500	67200	5680	13900	6900	4705	2580	7040	4500	1675	1975	2275	2575		
		600	20700	75900	95600								1975	2275	2575	2875		
12200	06/09	300	24800	60000	84400	5575	18500	6900	4105	1580	7040	5535	1675	1975	2275	2575	4x 4	min. 8x 400NB
		600	25300	97900	122300								1975	2275	2575	2875		
	15	300	29600	65900	92100	6575	18500	6900	5105	2580	7040	5535	1675	1975	2275	2575		
		600	30100	103800	130100								1975	2275	2575	2875		

All data are valid for standard version ; scope of supply acc. to order confirmation

Tolerances of dimensions and connecting dimensions ±10mm; flange dimensions acc. to AS 2129