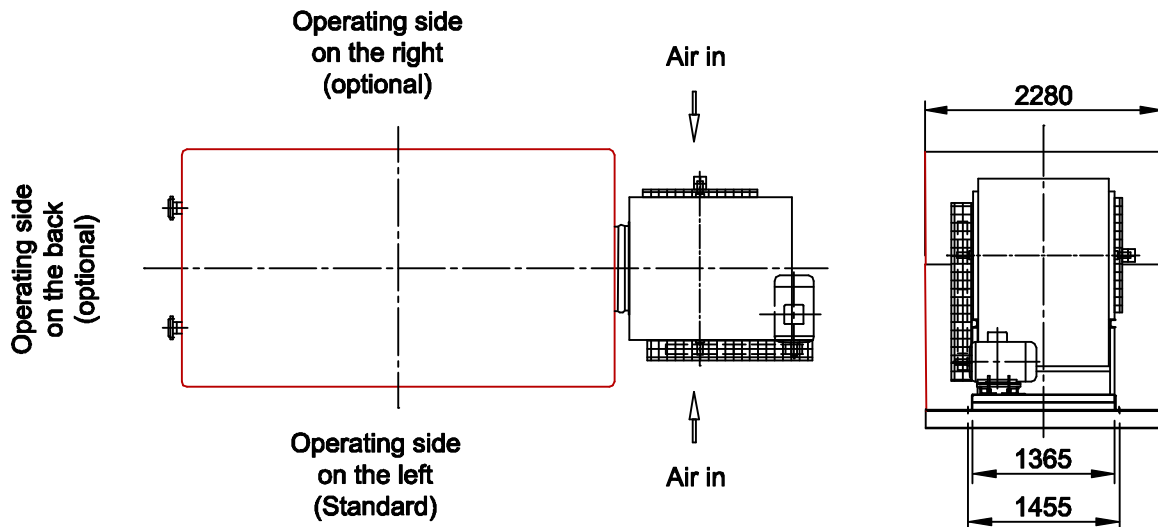
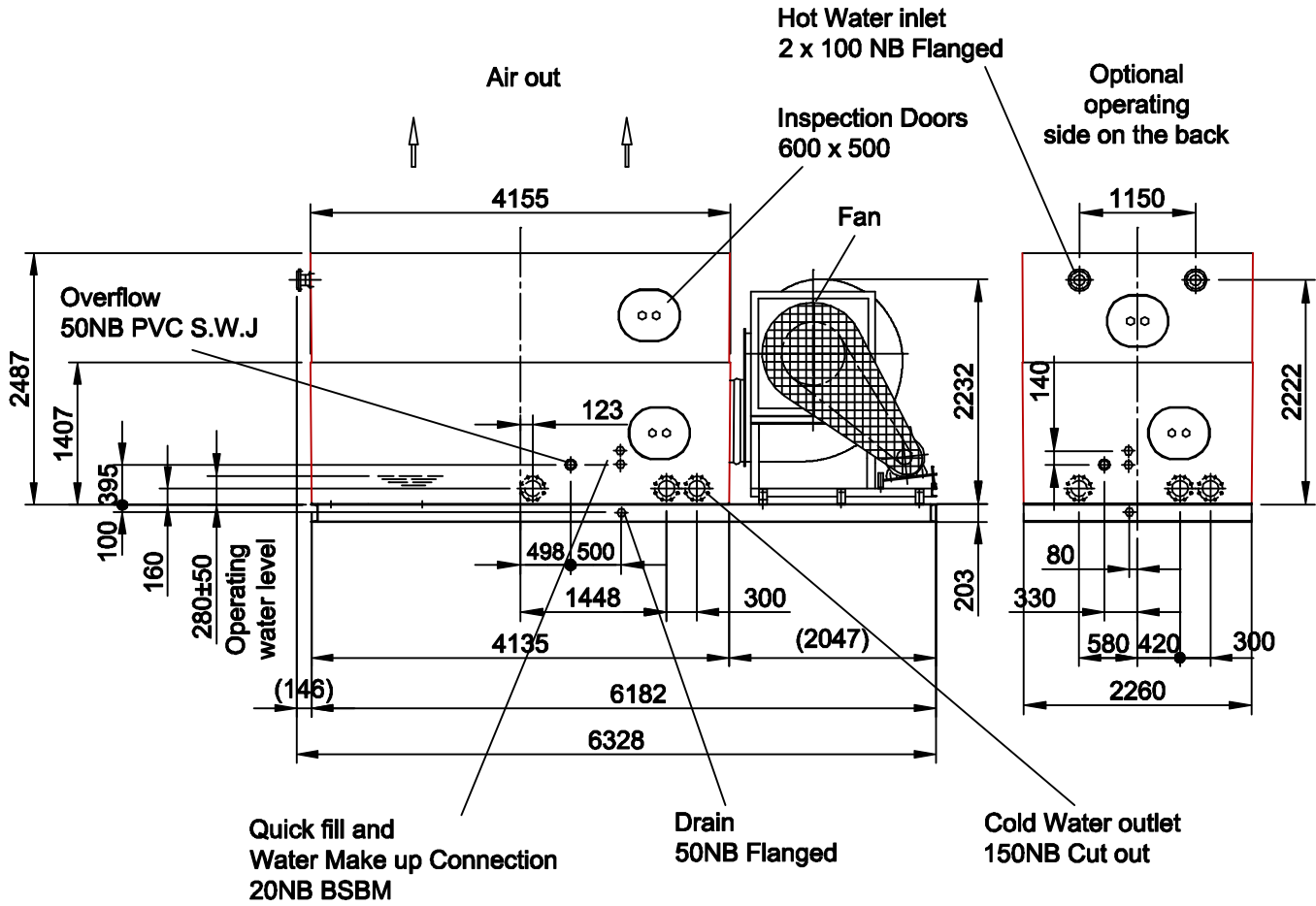




# SUPERCHILL - SULZER Cooling Tower EWK-D 930



R 2.268 B Bl.1\_D - 10.1999 / EWKD930 DIMENSION SHEET



	Weight in kg			Cold water outlet cut out Table "E"	
	Empty	Operating	Max	Water volume m³/h	
Cooling tower total	2300	5500	7800	75-160	161-260
				Side outlet	2x150NB 3x150NB
				Optional Floor outlet	1x250NB 1x300NB

All flanged connections and cut outs as per AS. 2129 Table "E"  
Tolerances of overall and connection dimensions ±10mm